

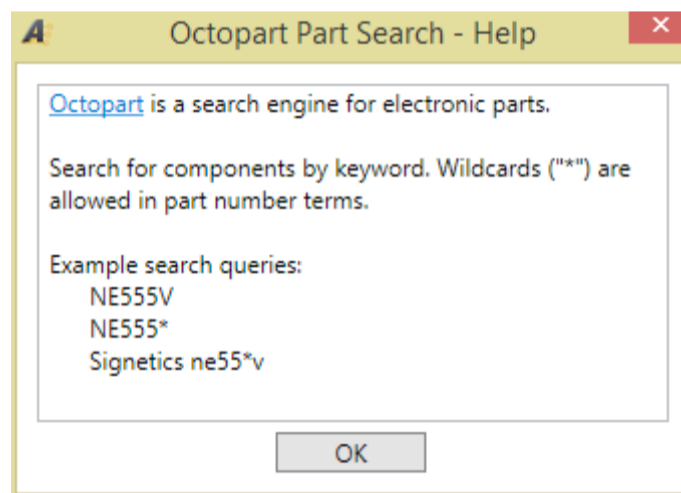
Octopart

Octopart Part Lookup

User Guide for v. 1.0.5
March 2014

INTRODUCTION

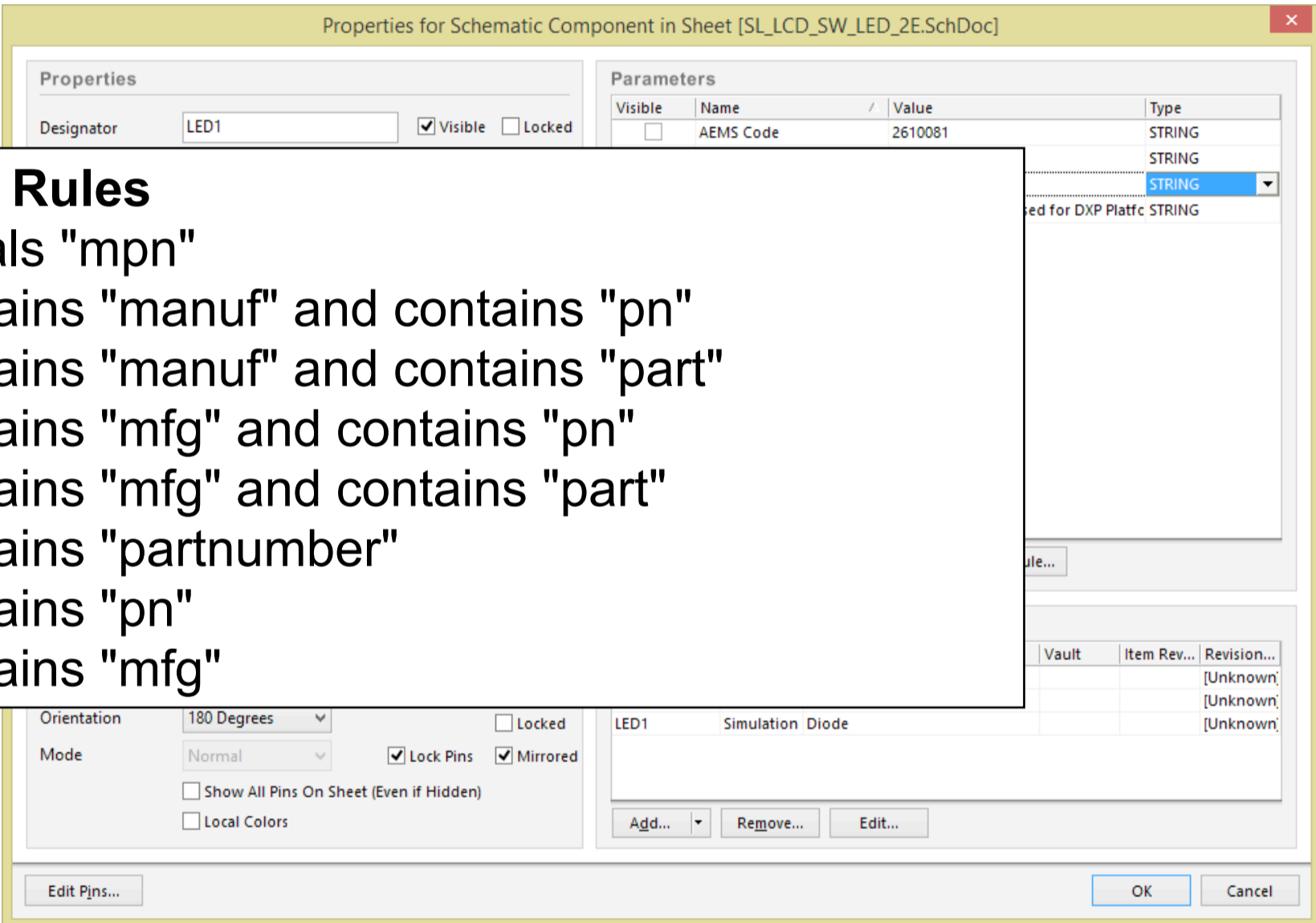
With the Octopart Part Lookup app, get access to Octopart's database of over 30 million electronic parts across thousands of manufacturers and distributors



Get pricing and quantity in stock, datasheets, sample requests, reference designs and more from directly within Altium Designer

SETUP

Check that manufacturer part number property matches any of these name rules:



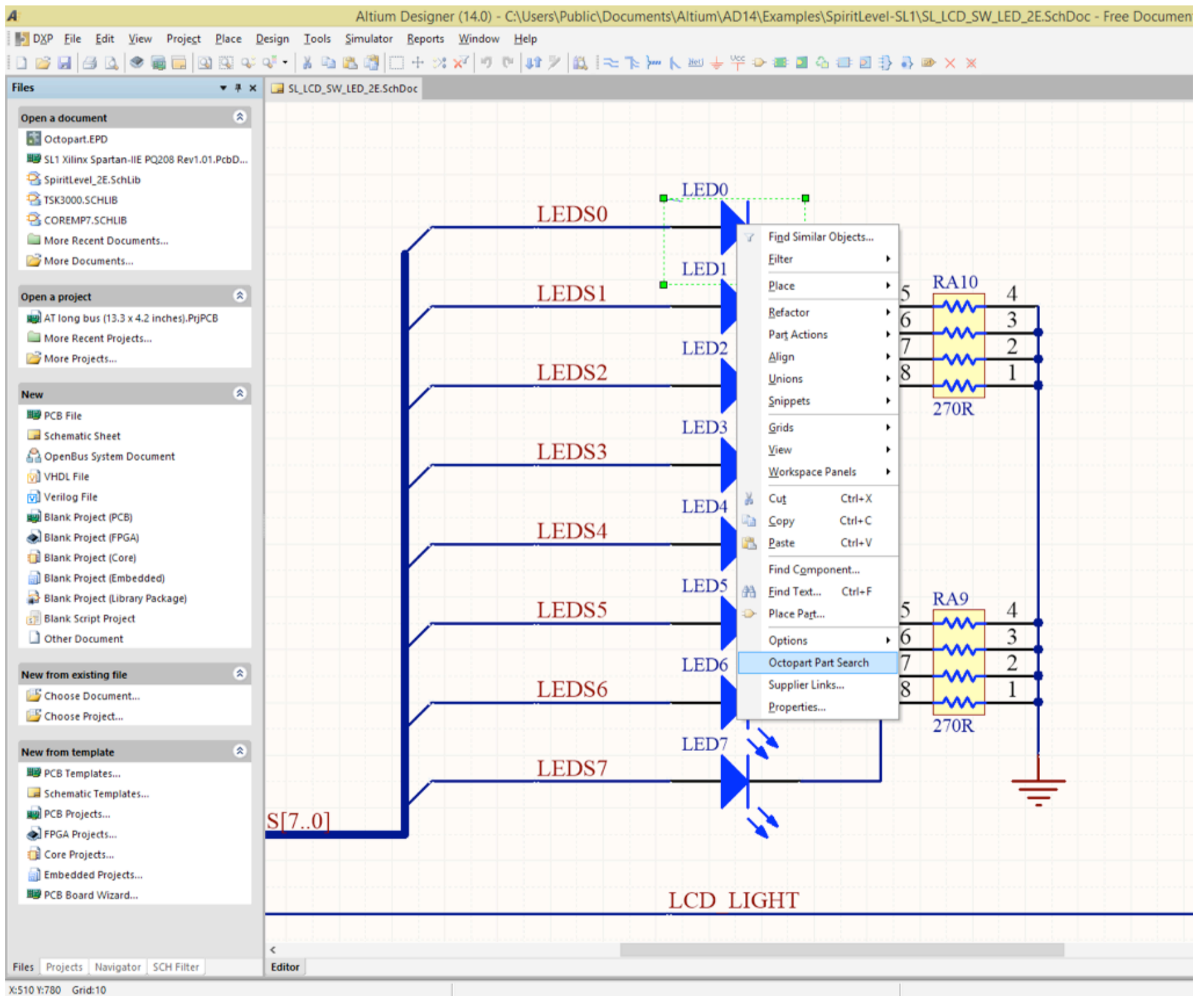
Name Rules

- equals "mpn"
- contains "manuf" and contains "pn"
- contains "manuf" and contains "part"
- contains "mfg" and contains "pn"
- contains "mfg" and contains "part"
- contains "partnumber"
- contains "pn"
- contains "mfg"

Contact us if your manufacturer part number property does not match any of the name rules (contact@octopart.com)

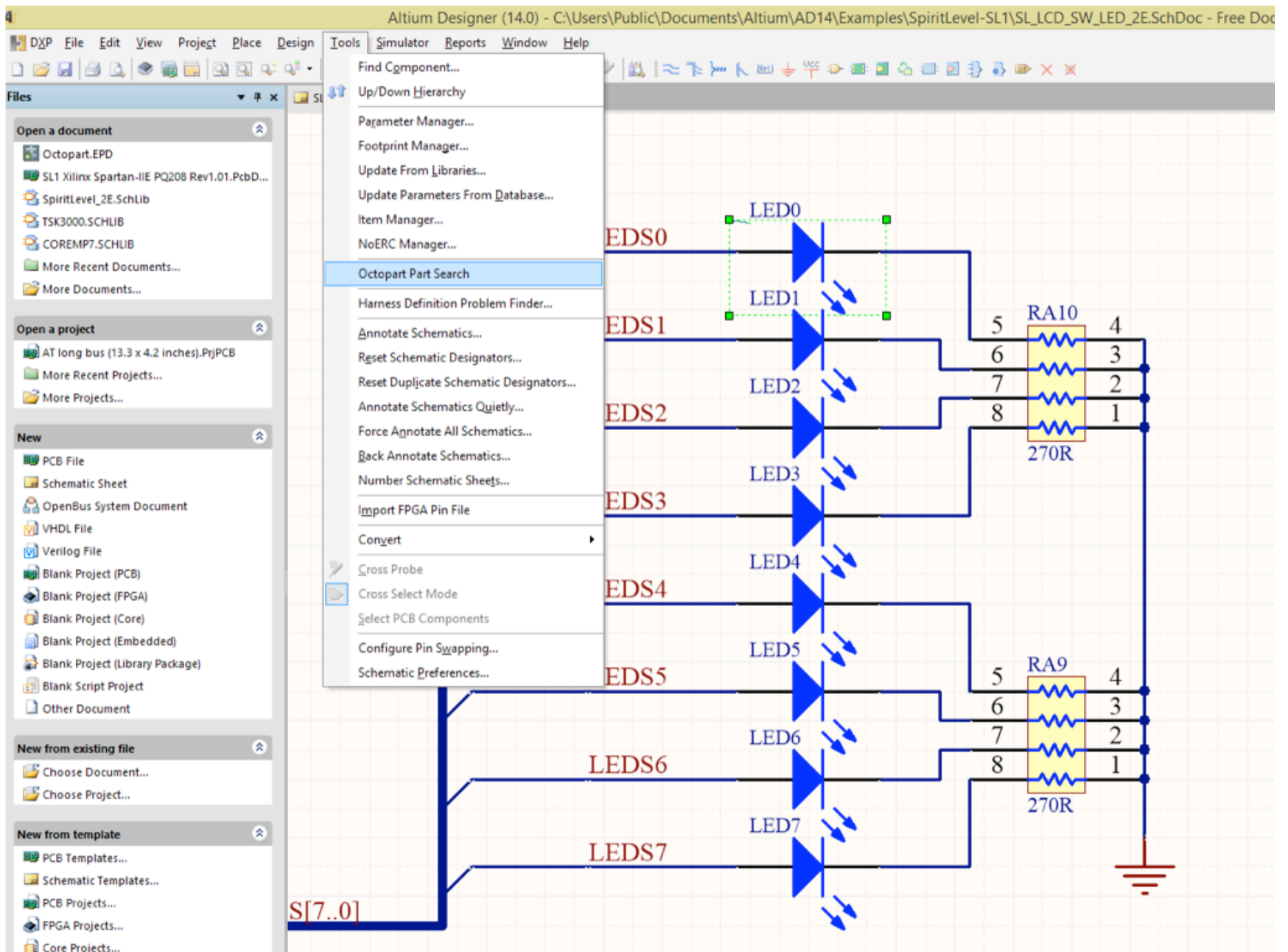
ACCESS

Right click on any part in your design to access Octopart Part Lookup....



ACCESS

... or access Octopart Part Lookup from the “Tools” menu



SEARCH

Select the part and click “See part details” for more information

The image shows a screenshot of the Altium Designer software interface. The main window displays a schematic diagram for a circuit labeled "LCD LIGHT". The circuit includes several LEDs (LED0, LED6, LED7) and resistors (R2, R8, R9). A search window titled "Octopart Part Search" is overlaid on the schematic, showing search results for the part number "HSMH-C170".

The search results table is as follows:

MPN	Manufacturer	Distributors	With Stock	Min Price (USD @ qty 100)	Max Price (USD @ qty 100)
HSMH-C170	Avago	18	999	0	0
HSMH-C170	Agilent	2	999	0	0
HSMH-C170(L)	Agilent	1	999	0	0
HSMH-C170(M)	Avago	1	999	0	0
HSMHC170	Avago	1	999	0	0
HSMH-C170L	Agilent	0	999	0	0
HSMH-C170	Fairchild Semiconductor	0	999	0	0
HSMH-C170M	Agilent	0	999	0	0
HSMH-C170	Microsemi	1	999	0	0

The schematic diagram shows a signal source labeled "S[7..0]" connected to a network of LEDs and resistors. The LEDs are labeled LED0, LED6, and LED7. The resistors are labeled R2 (560R), R8 (68R), and R9 (68R). A transistor Q1 (2N7002) is also shown in the circuit. The search window is positioned over the schematic, displaying the search results for "HSMH-C170".

COMPARE

Compare pricing and quantity in stock across distributors

The screenshot displays the Altium Designer (14.0) interface. The main workspace shows a schematic diagram with components labeled LED0, LED6, LED7, LEDS0, LEDS6, LEDS7, and LCD LIGHT. A search bar in the center-left shows 'HSMH-C170*'. Two Octopart Part Detail windows are open, one for Avago HSMH-C170 and one for Agilent HSMH-C170(L). The Avago window shows a table of distributors with their respective SKUs, authorized status, packaging, stock, and pricing.

Distributor	SKU	Authorized	Packaging	Stock	1	100	1000	MOQ	All Price Breaks
Newark	21M5390	Yes		24589	USD 0.06700	0.06700	0.05800	0	[10.0.06700] [25.0.06700] [100.0.06700] [250.0.05800] [500.0.05800]
Digi-Key	516-1427-1-ND	Yes	Cut Tape	16202	USD 0.54000	0.21200	0.10000	1	[10.0.54000] [100.0.40000] [250.0.32000] [100.0.21200] [250.0.10000]
Digi-Key	516-1427-2-ND	Yes	Tape & Reel	8000	USD			4000	[4000.0.08000] [8000.0.07200] [12000.0.06400] [28000.0.06400]
Verical	HSMH-C170	Yes		124000	USD			0	[4000.0.04390]
Mouser	630-HSMH-C170	Yes		28352	USD 0.27000			0	[10.0.27000]
element14 APAC	5790840	Yes		12907	USD 0.70000			0	[10.0.70000] [100.0.47000]
Farnell	5790840	Yes		11187	GBP 0.09800			0	[10.0.09800]
Chip One Stop	AVAG-0010806	Yes		18	USD			25	[25.0.11800]

The Agilent window shows a single distributor entry:

Distributor	SKU	Authorized	Packaging	Stock	1	100	1000	MOQ	All Price Breaks
Harry Krantz	HSMH-C170(L)	No	RFQ					0	

Get part details, datasheets, reference designs, sample requests and more

CONTACT

Bugs? Need Help? Contact us at
contact@octopart.com